

## Flat Round Washer

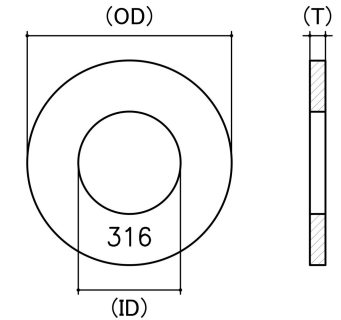
**Material:** Stainless Steel

**Class Grade:** A4-70 G316

**Corrosion Protection Level:** Ultimate

**Standard:** HEC Standard

**System Of Measurement:** Imperial



*CAD drawings shown for graphic representation only.\**

| Industry Size<br>(inches) | Inside Dimension (ID)<br>(mm) |      | Outside Dimension (OD)<br>(mm) |       | Thickness (T)<br>(mm) |      | sku<br>(qfind) |
|---------------------------|-------------------------------|------|--------------------------------|-------|-----------------------|------|----------------|
|                           | Min                           | Max  | Min                            | Max   | Min                   | Max  |                |
| 3/16 x 7/16 x 20g         | 5.10                          | 5.60 | 10.70                          | 11.10 | 0.80                  | 1.00 | 71S316716M     |
| 3/16 x 1/2 x 20g          | 5.10                          | 5.60 | 12.40                          | 12.70 | 0.80                  | 1.00 | 71S31612M      |
| 3/16 x 3/4 x 18g          | 5.10                          | 5.60 | 17.60                          | 19.00 | 1.00                  | 1.20 | 71S31634M      |
| 3/16 x 7/8 x 18g          | 5.10                          | 5.60 | 20.90                          | 22.20 | 1.00                  | 1.20 | 71S31678M      |
| 3/16 x 1 x 16g            | 5.10                          | 5.60 | 24.80                          | 25.40 | 1.30                  | 1.60 | 71S3161M       |
| 1/4 x 1/2 x 20g           | 6.80                          | 7.50 | 12.40                          | 12.70 | 0.80                  | 1.00 | 71S1412M       |
| 1/4 x 9/16 x 18g          | 6.80                          | 7.30 | 13.90                          | 14.30 | 1.00                  | 1.20 | 71S14916M      |
| 1/4 x 5/8 x 18g           | 6.80                          | 7.30 | 15.60                          | 16.00 | 1.00                  | 1.20 | 71S1458M       |
| 1/4 x 3/4 x 18g           | 6.80                          | 7.30 | 17.60                          | 19.00 | 1.00                  | 1.20 | 71S1434M       |
| 1/4 x 7/8 x 18g           | 6.80                          | 7.30 | 20.90                          | 22.20 | 1.00                  | 1.20 | 71S1478M       |
| 1/4 x 1 x 16g             | 6.80                          | 7.30 | 24.80                          | 25.40 | 1.30                  | 1.60 | 71S141M        |
| 5/16 x 5/8 x 18g          | 8.50                          | 9.00 | 15.60                          | 16.00 | 1.00                  | 1.20 | 71S51658M      |
| 5/16 x 3/4 x 18g          | 8.50                          | 9.00 | 17.60                          | 19.00 | 1.00                  | 1.20 | 71S51634M      |
| 5/16 x 1 x 16g            | 8.50                          | 9.00 | 24.80                          | 25.40 | 1.30                  | 1.60 | 71S5161M       |

| Industry Size<br>(inches) | Inside Dimension (ID)<br>(mm) |       | Outside Dimension (OD)<br>(mm) |        | Thickness (T)<br>(mm) |      | sku<br>(qfind) |
|---------------------------|-------------------------------|-------|--------------------------------|--------|-----------------------|------|----------------|
|                           | Min                           | Max   | Min                            | Max    | Min                   | Max  |                |
| 3/8 x 3/4 x 18g           | 10.20                         | 10.70 | 17.60                          | 19.00  | 1.00                  | 1.20 | 71S3834M       |
| 3/8 x 7/8 x 18g           | 10.20                         | 10.70 | 20.90                          | 22.20  | 1.00                  | 1.20 | 71S3878M       |
| 3/8 x 1 x 16g             | 10.20                         | 10.70 | 24.80                          | 25.40  | 1.30                  | 1.60 | 71S381M        |
| 7/16 x 1-1/8 x 16g        | 11.50                         | 12.40 | 27.80                          | 28.40  | 1.30                  | 1.60 | 71S716118M     |
| 1/2 x 1 x 16g             | 13.30                         | 14.20 | 24.80                          | 25.40  | 1.30                  | 1.60 | 71S121M        |
| 5/8 x 1-1/4 x 16g         | 17.00                         | 17.60 | 31.20                          | 32.00  | 1.30                  | 1.60 | 71S58114M      |
| 3/4 x 1-1/2 x 14g         | 20.10                         | 22.10 | 37.70                          | 38.40  | 1.70                  | 2.00 | 71S34112M      |
| 7/8 x 1-5/8 x 14g         | 24.20                         | 24.60 | 40.80                          | 41.40  | 1.70                  | 2.00 | 71S78158M      |
| 1 x 1-7/8 x 12g           | 26.90                         | 27.80 | 47.20                          | 48.00  | 1.70                  | 2.00 | 71S1178M       |
| 1 x 2 x 10g               | 26.90                         | 27.80 | 50.60                          | 51.20  | 3.00                  | 3.80 | 71S12M         |
| 1-1/8 x 2-1/2 x 10g       | 29.10                         | 31.75 | 62.70                          | 63.40  | 3.00                  | 3.80 | 71S118212M     |
| 1-1/4 x 2-3/4 x 10g       | 33.50                         | 35.00 | 68.50                          | 70.50  | 3.00                  | 3.80 | 71S114234M     |
| 1-1/2 x 3-1/4 x 10g       | 39.00                         | 41.00 | 82.40                          | 83.00  | 3.00                  | 3.80 | 71S112314M     |
| 2 x 4 x 10g               | 53.70                         | 55.10 | 101.00                         | 102.40 | 3.00                  | 3.80 | 71S24M         |

**Disclaimer:**

Dimensional data and technical information was obtained from publically available sources and not acquired through standard agencies. It has been completed and compiled for reference purposes only; where discrepancies are found they are subject to change without notice. Bolt & Nut Australia makes no warranties or representations regarding the accuracy and validity of the compiled information and data. Contact the relevant standard authorities for accurate and detailed information.

\* CAD drawings may not reflect diameter, thread length or overall length.

© Bolt & Nut Australia Pty Ltd. All rights reserved.

Version: 18 Mar 2024